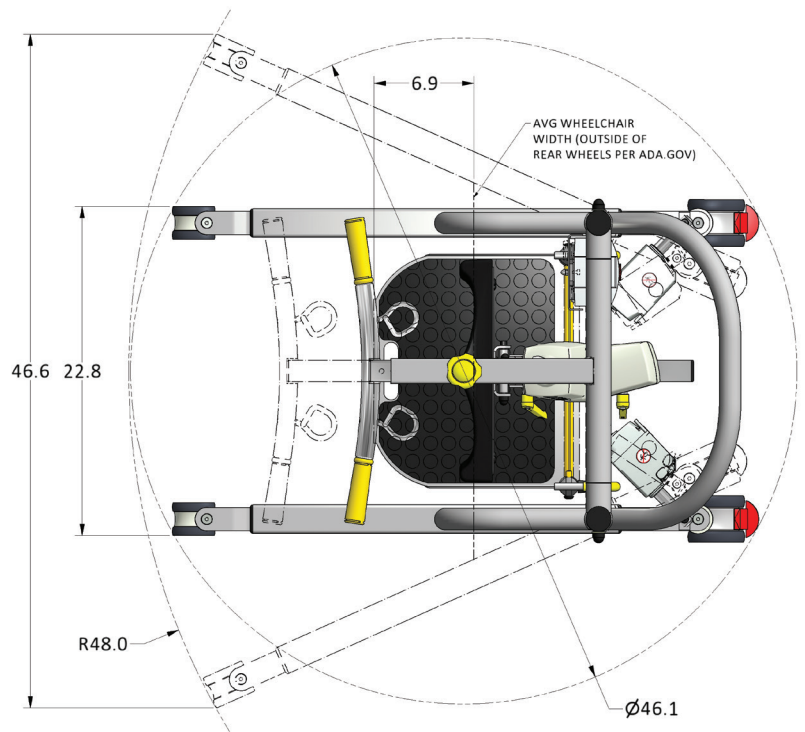
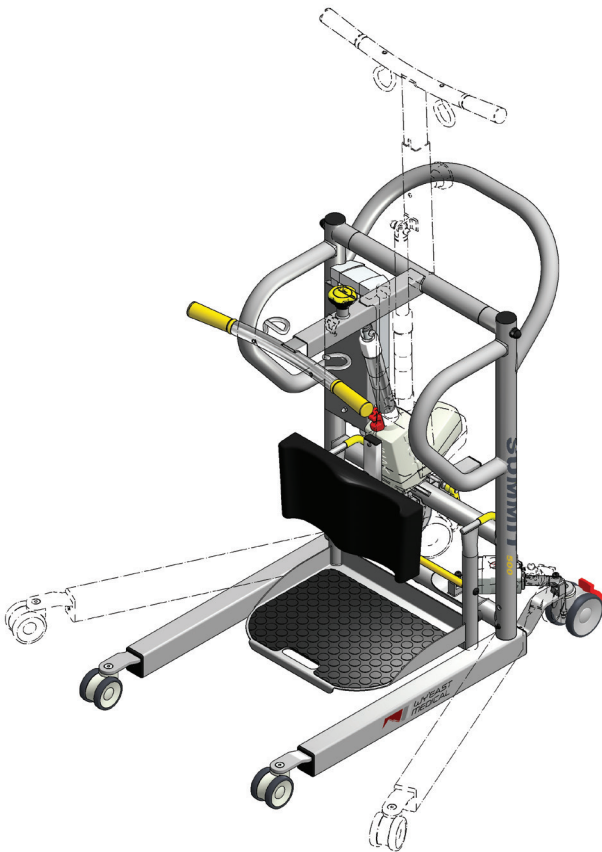


SUMMIT

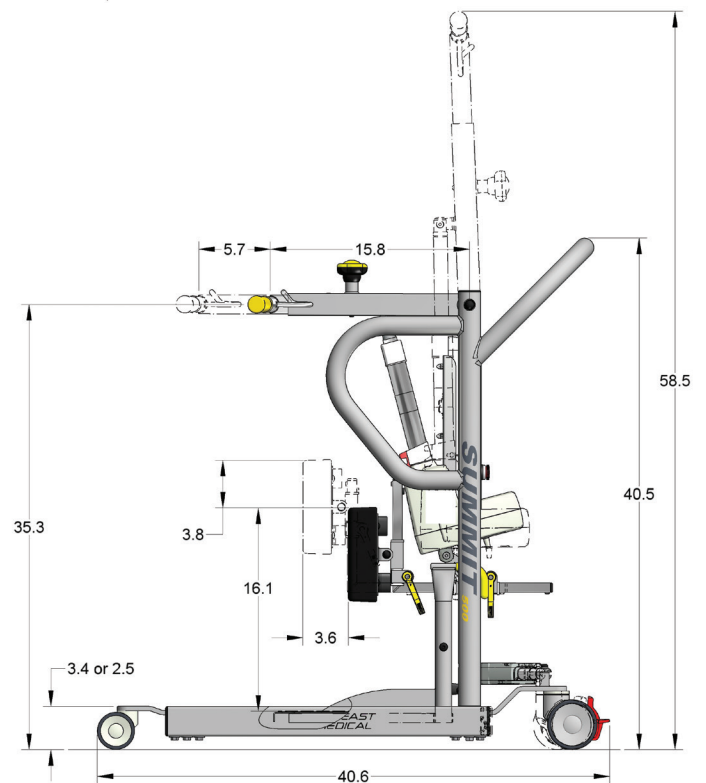
Powered Sit-to-Stand

WY' EAST
MEDICAL



Specifications

PARAMETER	SPEC
• Maximum Load	500 lb
• Total Weight	124 lb
• Number of Lifts per Charge	35-40
• Weight Loose Parts (Footrest)	12 lb
• Removable Footplate Dimensions	14" x 17" x 14"
• Wheels, Front	3" or 2" Diameter
• Wheels, Rear	4" Diameter
• Turning Diameter	46.1" Diameter
• Leg Under bed/Stretcher Clearance	3.4" or 2.5"
• Standard Door Width Clearance	23.7"
• Frame	Steel & Aluminum



1-13036-R06

800.255.3126 | wyeastmedical.com