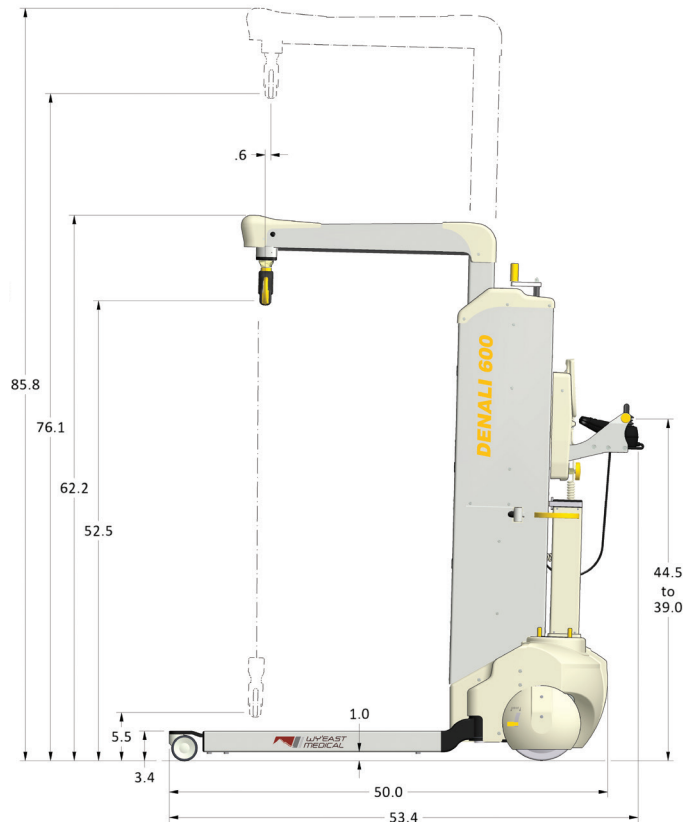
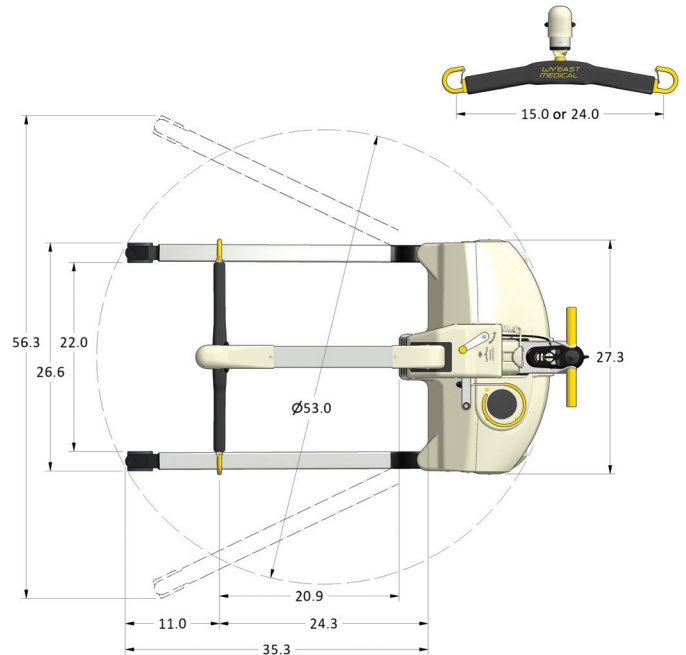
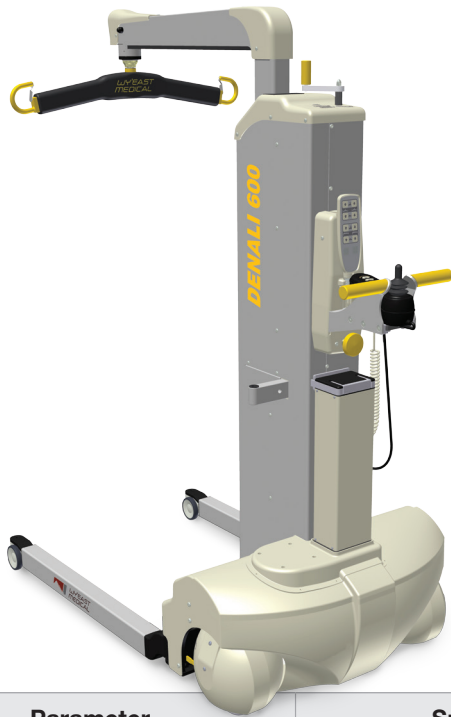


# Denali600

Powered Moving and Turning



| Parameter                         | Spec                                |
|-----------------------------------|-------------------------------------|
| Maximum Load                      | 600 lbs.                            |
| Unit Weight with Battery          | 220 lbs.                            |
| Battery                           | 15 Ah LiFePO <sub>4</sub>           |
| Number of Lifts per Charge        | 200                                 |
| Charge Time                       | Quick 2 hr<br>Full 10 hr            |
| Lifting Speed Unloaded            | 1.75 in/s                           |
| Leg Under Bed/Stretcher Clearance | 3.4"                                |
| Standard Door Width Clearance     | 28"                                 |
| Turning Diameter                  | 53" Diameter                        |
| Driving Speed                     | 1.4 mph                             |
| Lift                              | Run 2 min Continuous<br>Off 18 min  |
| 15% - 85% Intermittent Usage      |                                     |
| Drive                             | Run 10 min continuous<br>Off 10 min |
| 50% - 50% Intermittent Usage      |                                     |
| Emergency Lowering                | Electrical and Manual               |

