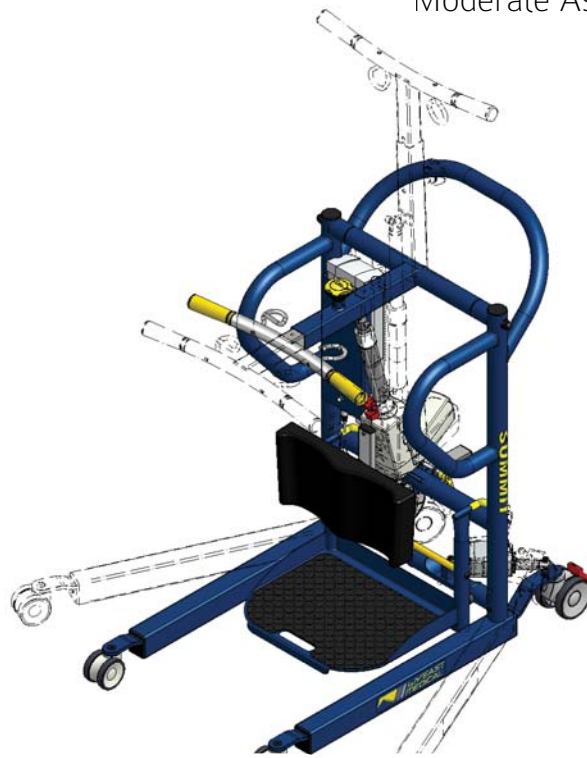


# SUMMIT

Moderate Assist Standing Aid



Parameter	Value
Maximum Load	500 lbs
Total Weight	124 lbs
Weight Loose Parts (Footrest)	12 lbs
Number of Lifts per Charge	35-40
Removable Footplate Dimensions	14" x 17" x 14"
Frame	Steel and Aluminum
Wheels, Front	3" Diameter
Wheels, Rear	4" Diameter
Turning Diameter	46.1" Diameter
Leg Under Bed/Stretcher Clearance	3.4"
Lifting Speed Unloaded	1.4in/s

# SUMMIT

Moderate Assist Standing Aid

