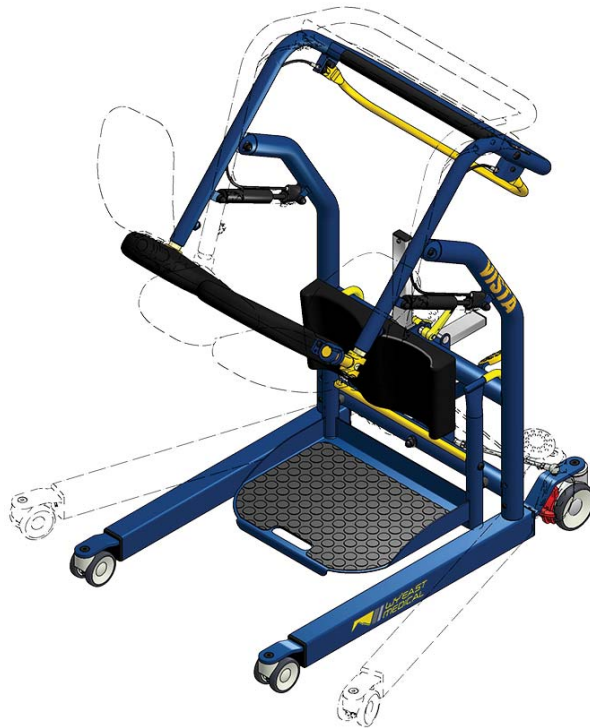


VISTA

Minimal Assist Standing Aid



Parameter	Value
Maximum Load	400 lbs
Total Weight	92 lbs
Weight Loose Parts (Footrest)	12 lbs
Removable Footplate Dimensions	14" x 17" x 14"
Frame	Steel and Aluminum
Wheels, Front	3" Diameter
Wheels, Rear	4" Diameter
Leg Under Bed/Stretcher Clearance	3.4"
Turning Diameter	46.1" Diameter

VISTA

Minimal Assist Standing Aid

